

1

2

3

4

D

D

C

C

B

B

A





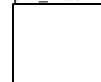
A

RICH-MAR

THERASOUND 3 SERIES ULTRASOUND

- MAIN BOARD -

Rev. F

MCU mcu_1k.sch	DATA CONV conv_1k.sch	RF AMP rf_1k.sch	BOARD I/O io_1k.sch	POWER pwr_1k.sch
				

Title THERASOUND MAIN BOARD			
Size: A	Number: SET02F	Rev: F	Sheet 1 of 9
Date: 11-Jan-2002	Drawn by: B.Reddy		
File: X:\Rich-Mar\US1000\RevF\Main\Schem\US1000.DDB - Documents\Us750_1k.pr			

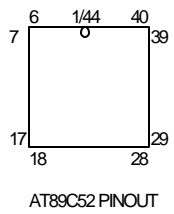
**RICH-MAR
CORP.**

1

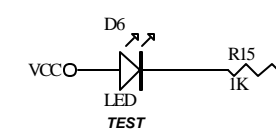
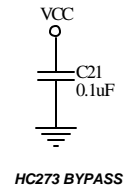
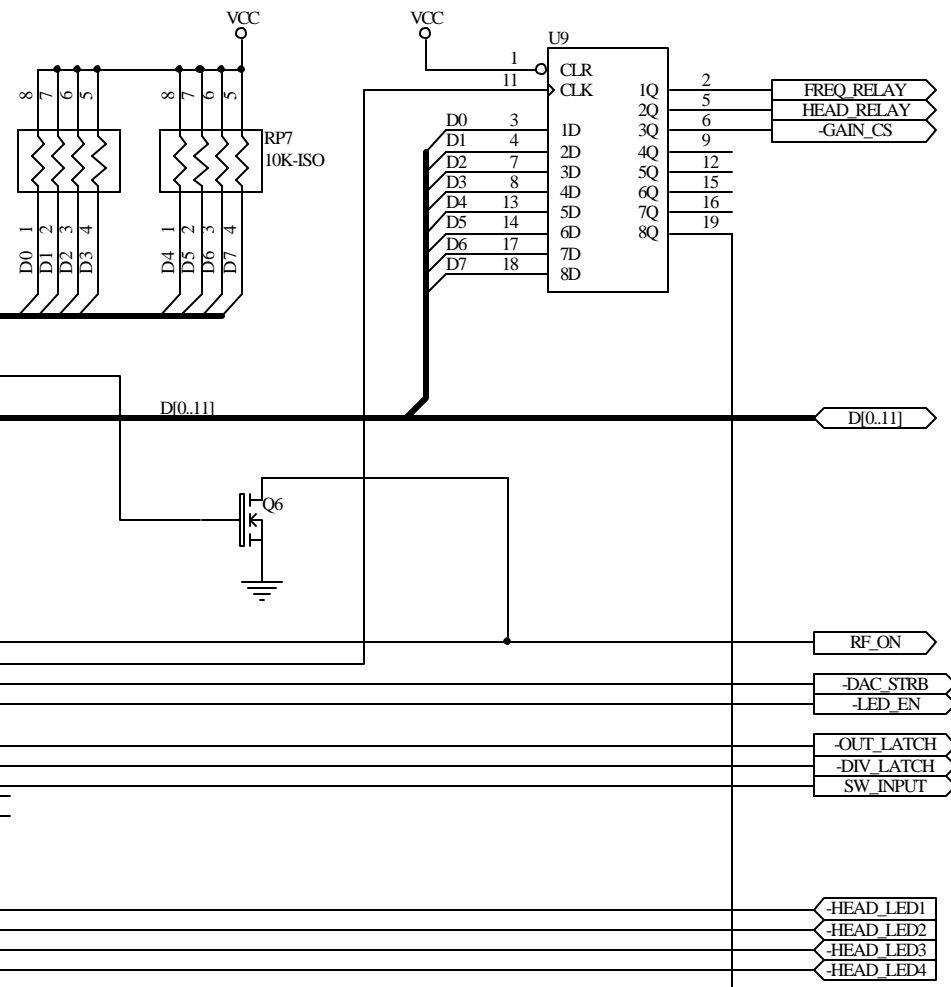
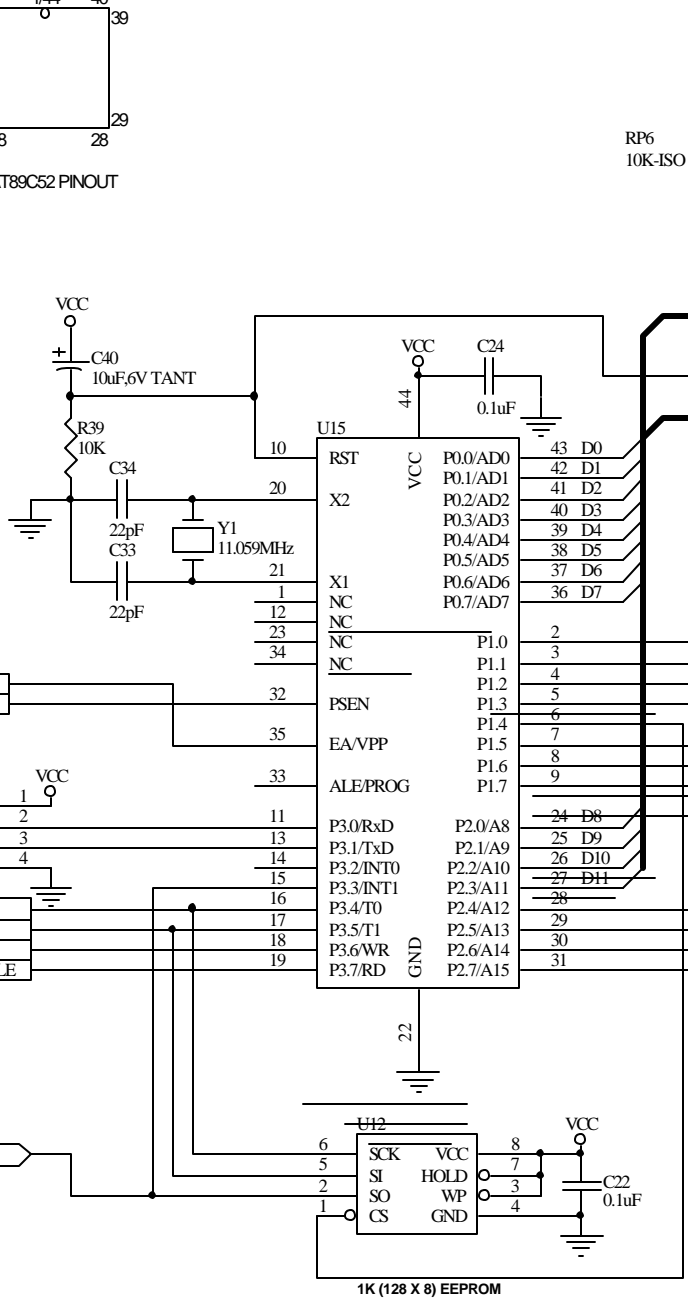
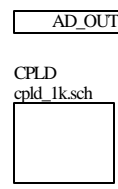
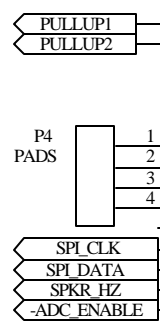
2

3

4

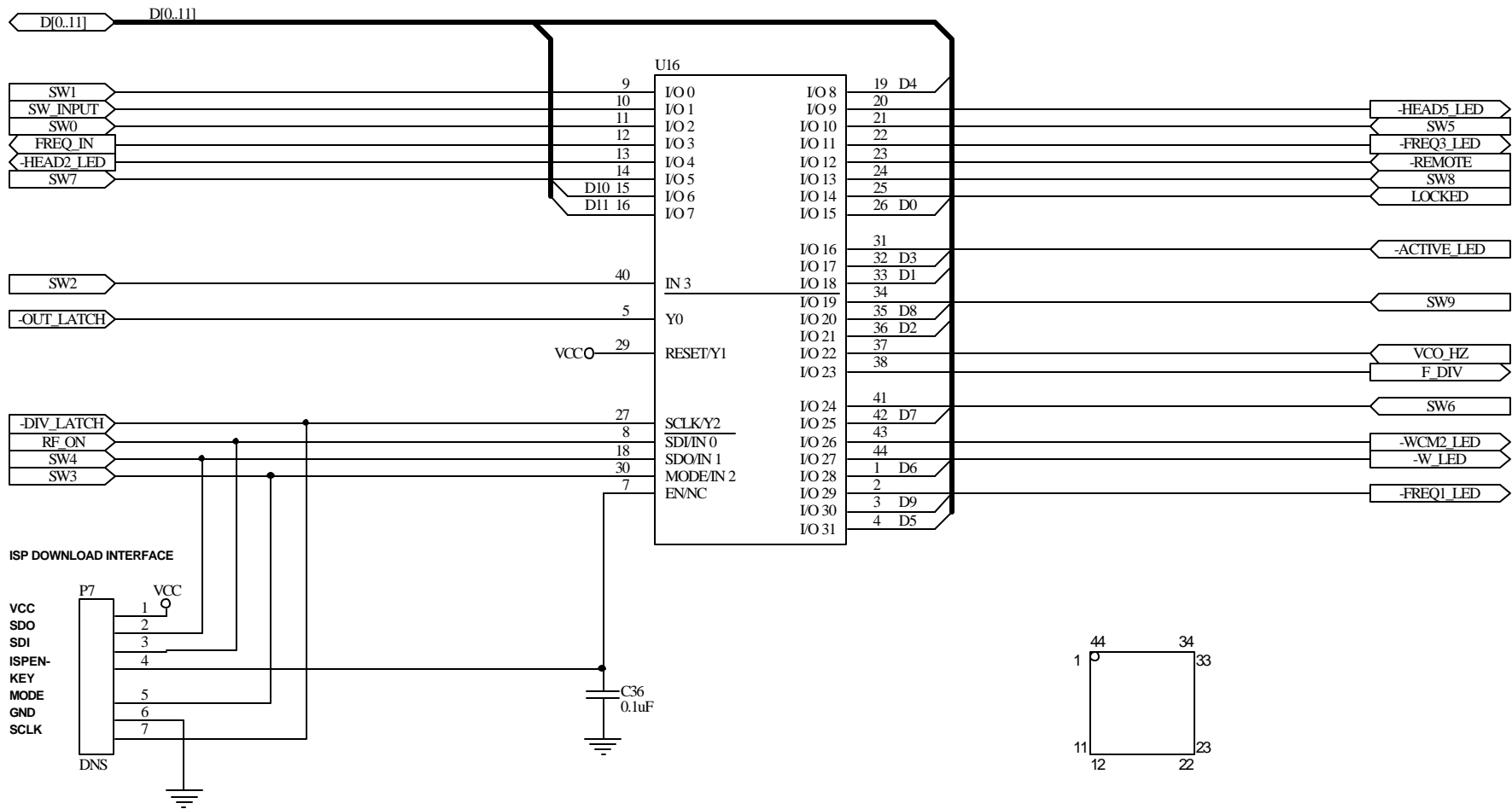


RS232 INTERFACE

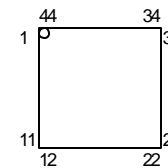
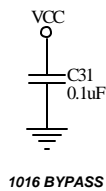
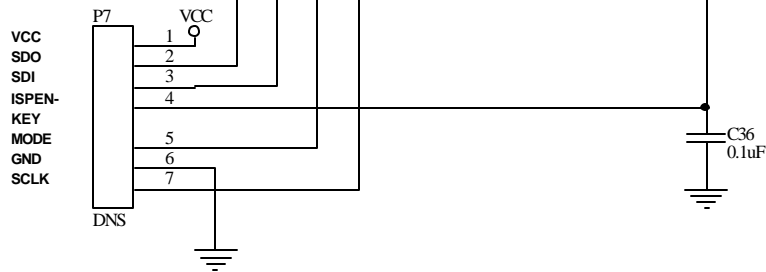


Title uP			
Size: A	Number: SET02F	Rev: F	Sheet 2 of 9
Date: 11-Jan-2002	Drawn by: B.Reddy		
File: X:\Rich-Mar\US1000\RevB\Main\Schem\US1000.DDB - Documents\mcu_1k.sch			

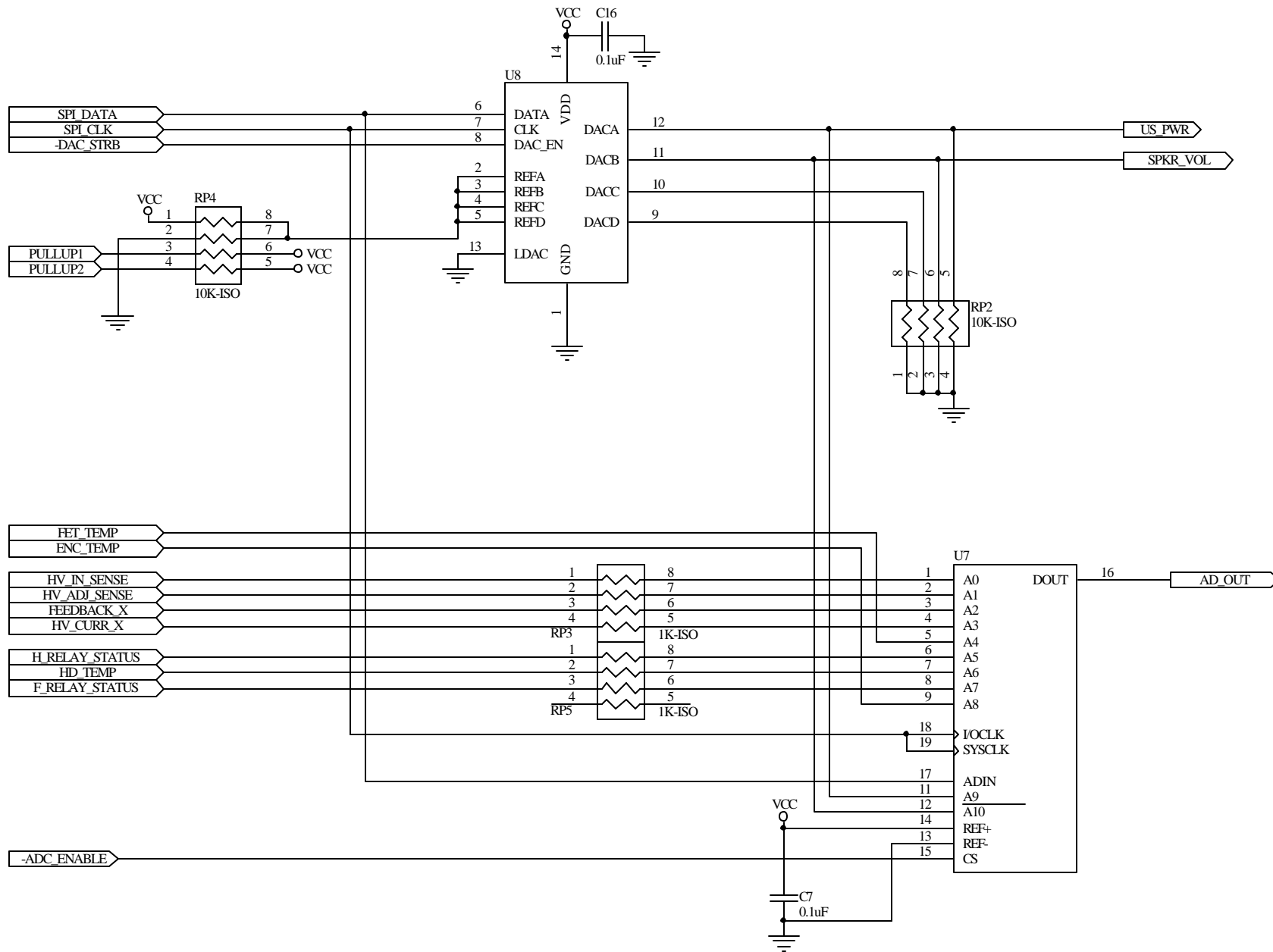
**RICH-MAR
CORP.**



ISP DOWNLOAD INTERFACE



Title				GEN I/O		RICH-MAR CORP.	
Size: A	Number: SET02F	Rev: F	Sheet 3 of 9				
Date: 11-Jan-2002		Drawn by: B.Reddy					
File: X:\Rich-Mar\US1000\RevB\Main\Schem\US1000.DDB - Documents\cpld_1k.sch							



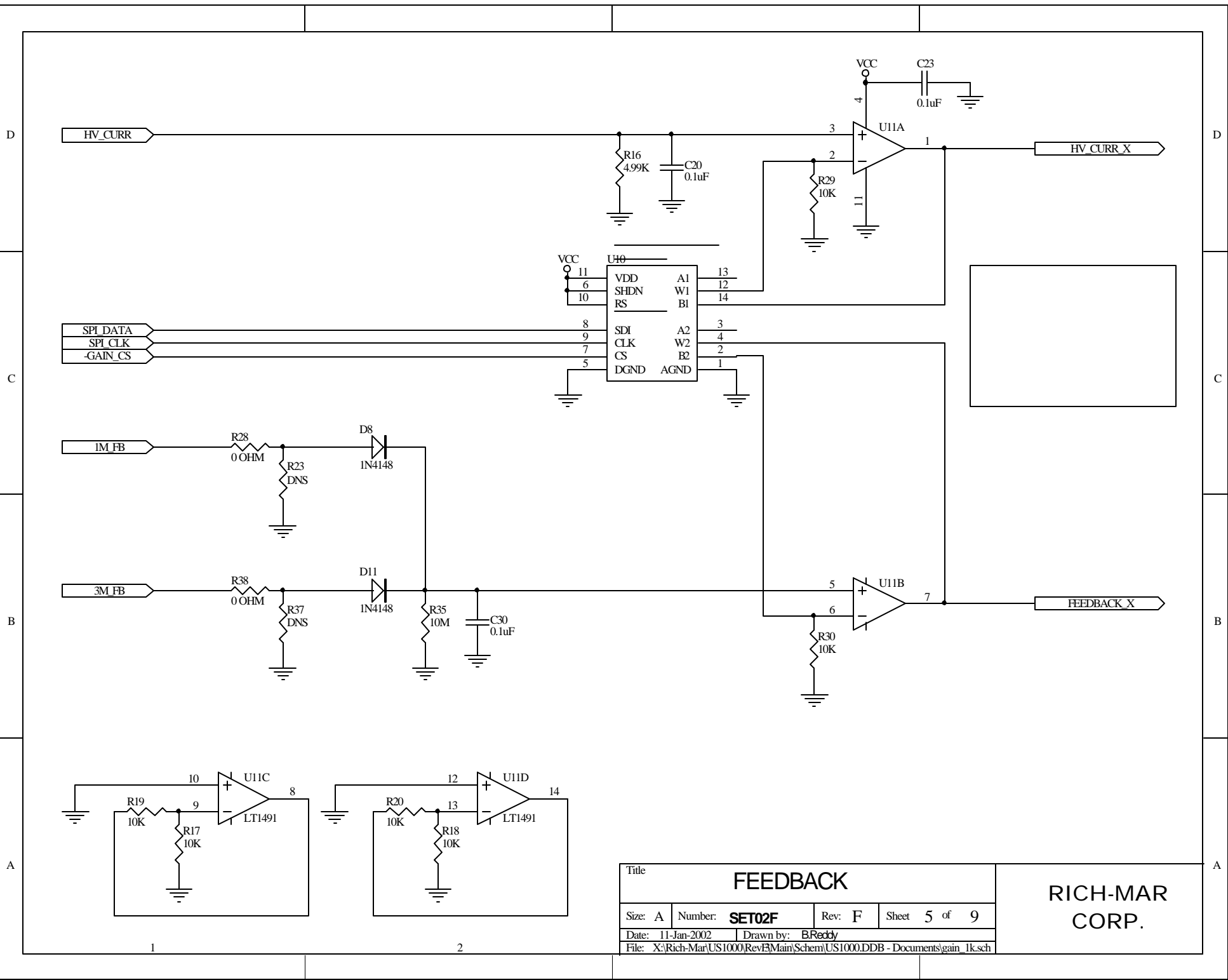
CONV GAIN
gain_1k.sch



1

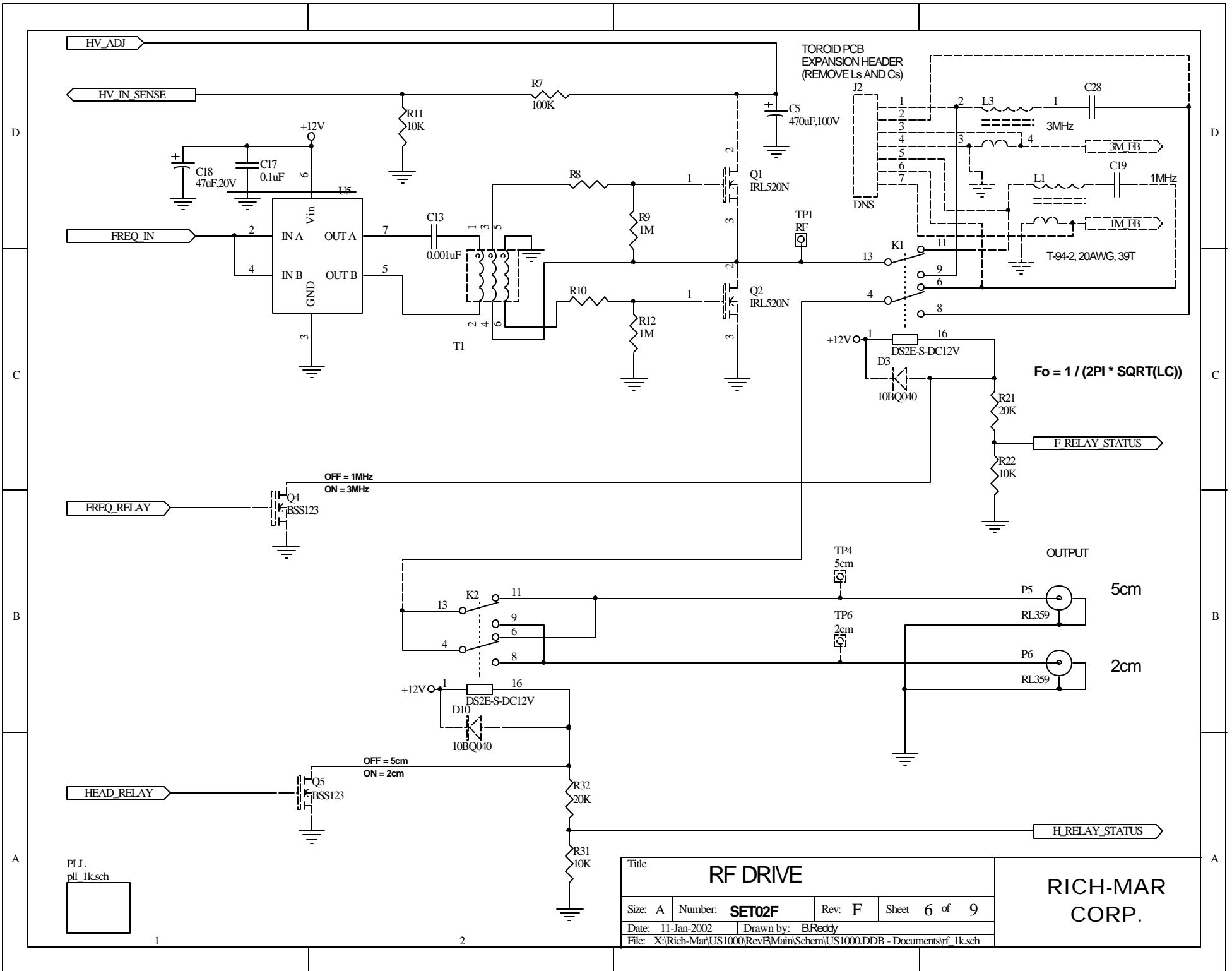
2

Title				DATA CONVERSION				RICH-MAR CORP.			
Size: A	Number: SET02F	Rev: F	Sheet 4 of 9								
Date: 11-Jan-2002	Drawn by: B.Reddy										
File: X:\Rich-Mar\US1000\RevB\Main\Schem\US1000.DDB - Documents\conv_1k.sch											



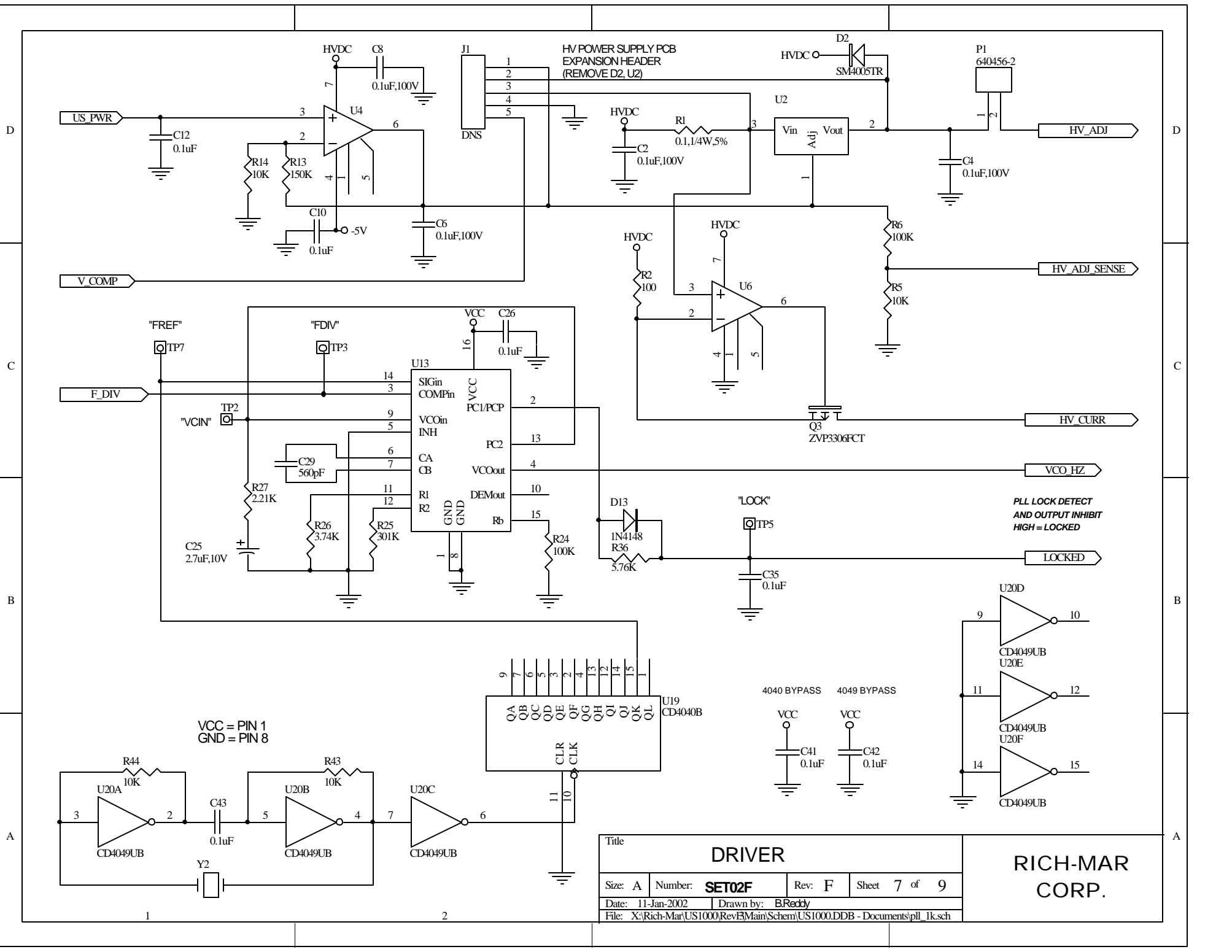
Title				FEEDBACK			
Size: A	Number: SET02F	Rev: F	Sheet 5 of 9				
Date: 11-Jan-2002		Drawn by: B.Reddy					
File: X:\Rich-Mar\US1000\RevB\Main\Schem\US1000.DDB - Documents\gain_1k.sch							

**RICH-MAR
CORP.**



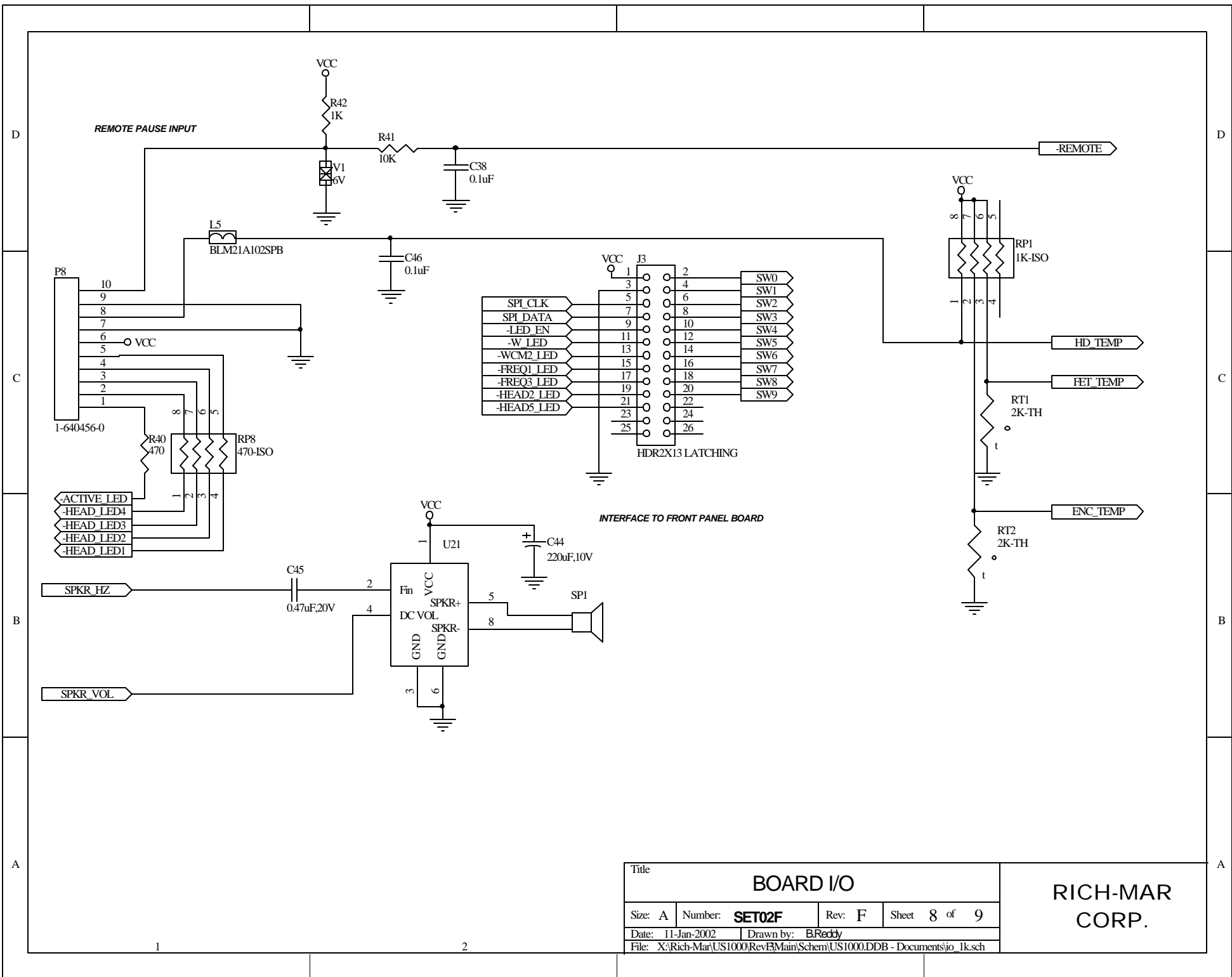
Title			
RF DRIVE			
Size: A	Number: SET02F	Rev: F	Sheet 6 of 9
Date: 11-Jan-2002	Drawn by: B.Reddy		
File: X:\Rich-Mar\US1000\RevBMain\Schem\US1000.DDB - Documents\rf_1k.sch			

**RICH-MAR
CORP.**



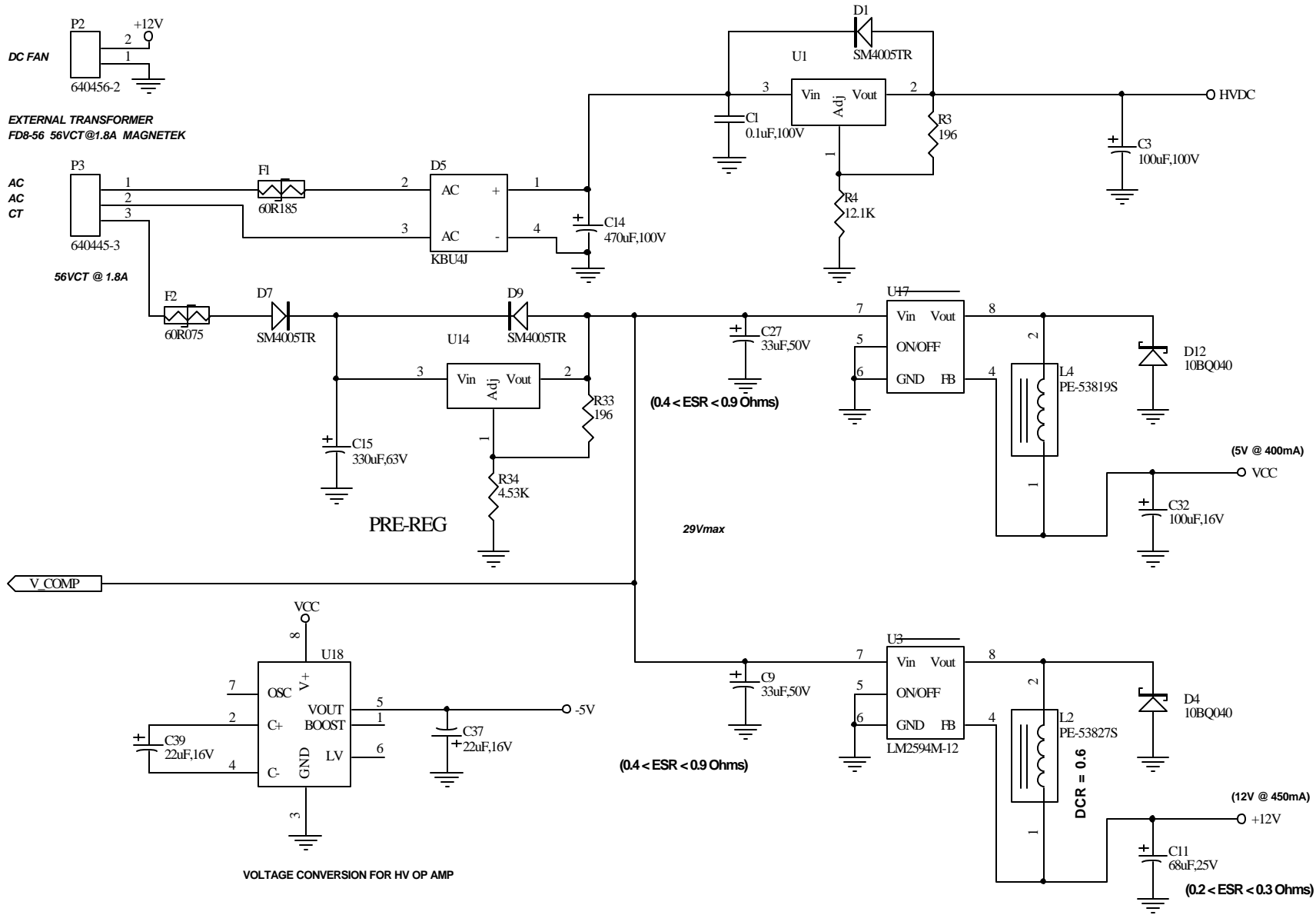
Title			
DRIVER			
Size: A	Number: SET02F	Rev: F	Sheet 7 of 9
Date: 11-Jan-2002	Drawn by: B.Reddy		
File: X:\Rich-Mar\US1000\RevF\Main\Schem\US1000.DDB - Documents\pll_1k.sch			

**RICH-MAR
CORP.**



Title				BOARD I/O	
Size: A	Number: SET02F	Rev: F	Sheet 8 of 9		
Date: 11-Jan-2002	Drawn by: B.Reddy				
File: X:\Rich-Mar\US1000\Rev\Main\Schem\US1000.DDB - Documents\io_1k.sch					

**RICH-MAR
CORP.**



All resistors are 1%, 1/8 W unless otherwise noted
 All caps are +/- 20%, 100V unless otherwise noted

Title			
POWER SUPPLY			
Size: A	Number: SET02F	Rev: F	Sheet 9 of 9
Date: 11-Jan-2002	Drawn by: B.Reddy		
File: X:\Rich-Mar\US1000\RevF\Main\Schem\US1000.DDB - Documents\pwr_1k.sch			

**RICH-MAR
CORP.**