

1

2

3

4

D

D

C

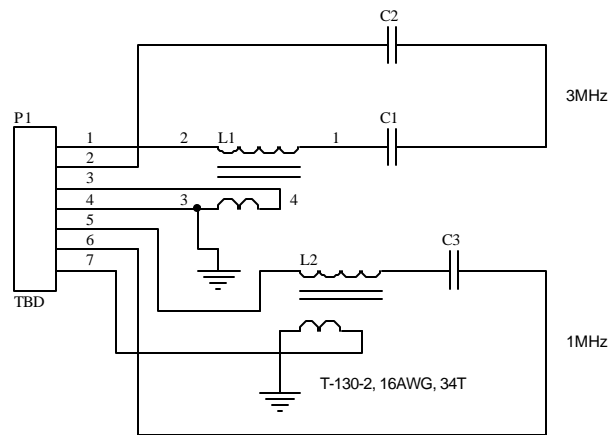
C

B

B

A

A



PCB FILE: SET03A.PCB

Title				US1K TOROID EXPANSION CARD	
Size: A	Number: BDXXXX	Rev: A	Sheet	1 of	1
Date: 20-Aug-2001		Drawn by: B.Reddy			
File: X:\Rich-Mar\Projects\US1000\RevE\Toroids\Archive\Tor_exp.DDB - Documents					

**RICH-MAR
CORP.**

1

2

3

4